

DL100

ALPHA LITE LED Downlight Data Sheet

Fixture Information

- Angle adjustable
- High color rendering of CRI 95 or higher
- RGBW LED Chip
- All-in-one Main drive controller
- RDM network communication possible
- Maintain the last signal when DMX signal is lost
- Dimming curve selectable (Linear & curve dimming)



Ultra HD
Lighting Quality



High CRI
True Color



Variety Color
Representation



Flicker Free



Long LED
Lifetime



Quiet
(No Fan)



Adjustable

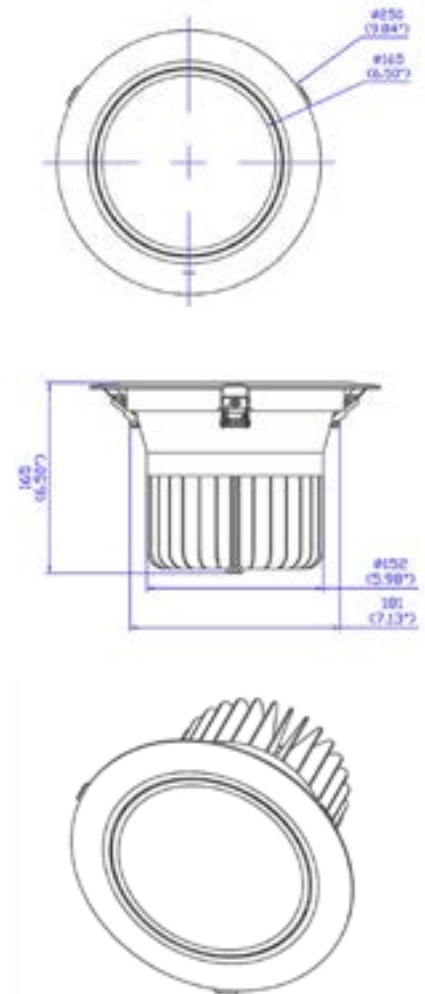


DL100
DATA SHEET

Specifications

LED Chip Type	100W RGBW
Estimated LED Lifetime (hours)	50,000
White Light (K)	2900-6000 (VCT)
Color Rendition (%)	CRI 95
Dimming (%)	0-100 (16-bit)
Cut-off Size Diameter (mm/inch)	205-230 / 8.1-9.1
Beam Angle (°)	15 / 24 / 30 / 45 / 65
Tilt (°)	27
Signal Control	3-Pin DMX In and Through
Individual Control	Dip Switch
Supported Protocol	DMX512 / RDM
(Optional) Supported Protocol	DMX512 Wireless
Remote Device Management	Supported (DMX Personality, DMX Address, Dim Speed, Dim Curve)
Channel Function	Dimming
Power Input Voltage	AC 100-240V
Power Consumption (W)	90
Ambient Temperature Operation (°C)	-20-45
Body Dimensions (mm/inch) (WHD)	ø250 x 160
Body Weight (kg/lbs)	1.55 / 3.4
Protection Class	IP20

Dimension



LED Downlight Controller (Include SMPS)

