

Cinema Version

A8-PLUS

ALPHA LITE LED Panel Light Data Sheet

Fixture Information

- Flat light source lighting fixture, which is mainly used in broadcast studio
- Excellent light quality, and average CRI 95~98 / R9, R12 are CRI 90 or higher
- Light that does not expose the light source, with less glare, evenly and extremely soft light distribution
- High efficiency and light saturation by using Micro diffusing lens, and excellent photometric flatness
- 2,500~10,000K color temperature control function
- R, G, B Full Color LEDs are combined to create a scene for all acting parts and a variety of atmospheres
- Support RDM network communication and various mode setting possible
- Smart touch control method makes it easy and convenient to check all information at a glance
- Long life, reduce maintenance costs and power consumption.

Optional Accessories

- Manual yoke
- Pole operation yoke
- Power cable
- DMX cable
- Safety chain
- Clamp
- Soft box
- Honeycomb



Ultra HD Lighting Quality



High CRI True Color



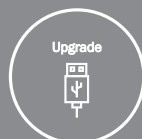
High TLCI True Color



Flicker Free



Smart Touch Control



USB Firmware Upgrade



Long LED Lifetime



Scene Direction Available



Variety Color Representation



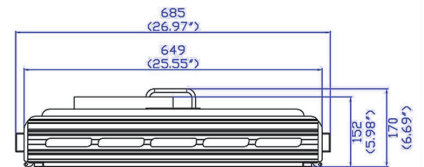
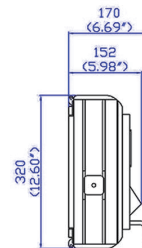
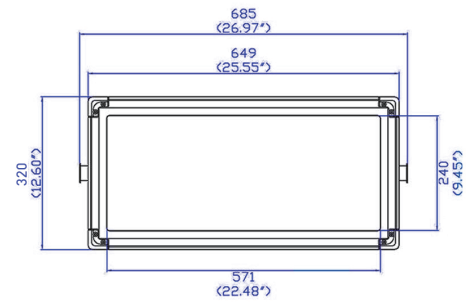
Wide Angle



Specifications

LED Chip Type	0.5W 3030 PKG LED / 0.5W RGB 5050 PKG LED
Estimated LED Lifetime (hours)	50,000
White Light (K)	2,500-10,000 (VCT)
Full Color Light	Full RGB+W (4Color Gamut with Hue and Saturation Control)
Color Rendition (%)	CRI 97 / TLCI 97
Dimming (%)	0-100 (16-bit)
Light Aperture Size (mm/inch)	571 x 240 / 22.5 x 9.5
Beam Angle (°)	135
Signal Control	5-Pin DMX In and Out
Individual Control	Smart Touch LCD Controller
Supported Protocol	DMX512 / RDM
(Optional) Supported Protocol	DMX512 Wireless / RDM Wireless
Remote Device Management	Supported
Channel Function	Dimming / CCT / Cross Fader / RGBW / Tint / Color Macro
Power Input Voltage	AC 100-240V / 50-60Hz
Power Consumption (W)	400
Ambient Temperature Operation (°C)	-20-45
Body Dimensions (mm/inch) (WHD)	685 x 320 x 170 / 27 x 12.6 x 6.7
Full Dimensions with Manual Yoke (mm/inch) (WHD)	781 x 434 x 170 / 30.8 x 17.1 x 6.7
Body Weight (kg/lbs)	9.7 / 21.4
Full Weight with Manual Yoke (kg/lbs)	10.9 / 24
Protection Class	IP20

Dimension



Photometric Diagram

A8-PLUS	Distance	Value	illuminance
5600K	3m (135°)	1040	Lux
	5m (135°)	402	Lux
	7m (135°)	213	Lux
	9m (135°)	136	Lux

